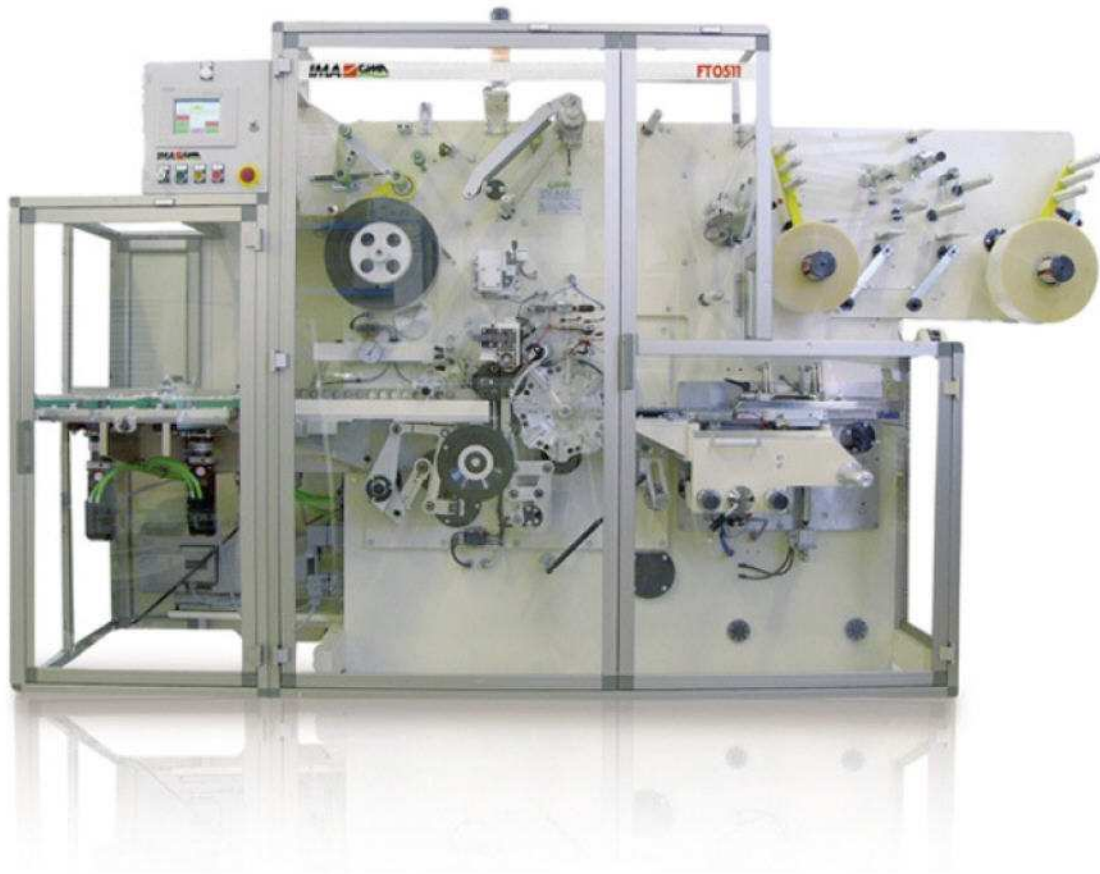


Made by
IMA GMA
Innovative Packaging Solutions

FT0511

Ultra high-speed overwrapping machine - up to 500/min.

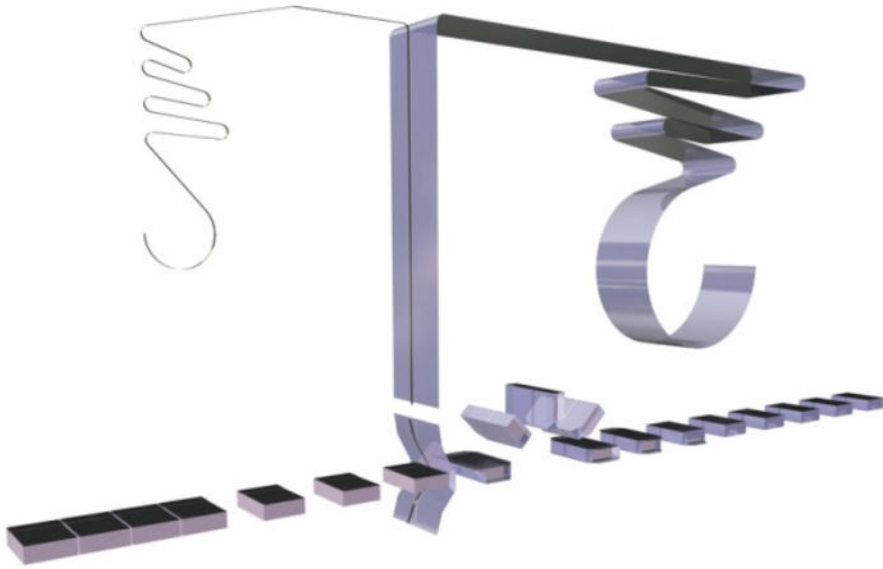


Ultra high-speed (up to 500/min.) overwrapping machine with continuous carton feeding system which prevents products pushing against each other both at the start and at end of the line. Thanks to advanced technical solutions, such as the inline tear-tape unit, the double reel holder, the automatic film splicing, it ensures top quality appearance of packages.

Carton boxes styles: single, multiple side by side, double overlapped.

Film type: all heat sealable films, such as PP , PVC, Cellophane.

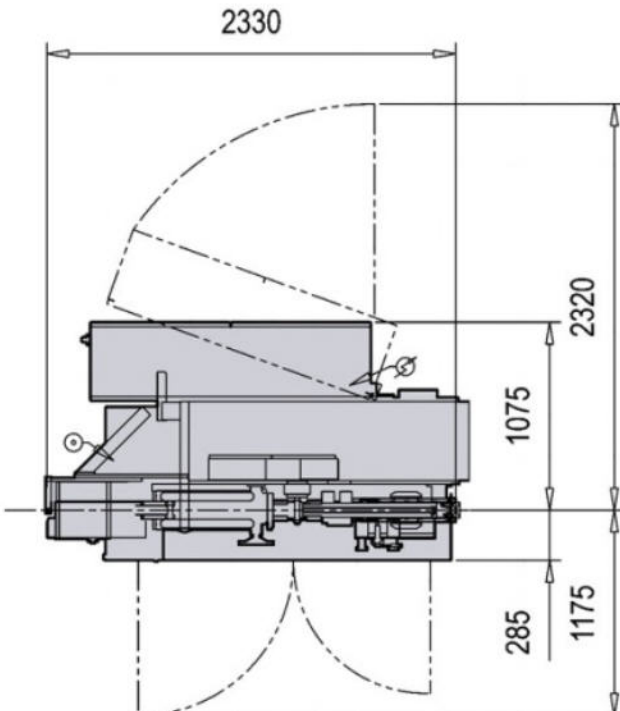
- Max. Reel diameter: 300 mm
- Min. Reel core diameter: 76.2 mm
- Max. Web width: 150 mm



Technical data

Production	over 500 ppm
Installed power	20 kW
Operating pressure	6 bar
Maximum air consumption	100 NI/min
Weight	2200 kg

Sizes out of range can be handled after been evaluated from technical office.



IMA INDUSTRIES S.r.l. Unipersonale
 Via Emilia 428-442 - 40064 Ozzano
 dell'Emilia (Bologna) - Italy